

# i-290 0240/0250 Heat Pump

## R290 Gas



### Key Features

- ▶ DC Inverter, tandem connection.
- ▶ Cascadeable up to XkW.
- ▶ Axial fan features airfoil blades.
- ▶ Refrigerant circuit in copper brazed pipes to EN13134 standard.

#### Standard components on the hydraulic and electronic side

- ▶ Water side safety valve
- ▶ Drain cock
- ▶ Flow switch (flow presence signaling)
- ▶ Remote on / off clean contact
- ▶ Dynamic set point
- ▶ Fan speed regulator (ECM fans)
- ▶ 2<sup>nd</sup> set point

#### Acoustic configurations

- ▶ **SL** Silenced unit
- ▶ **SSL** Super-silenced unit

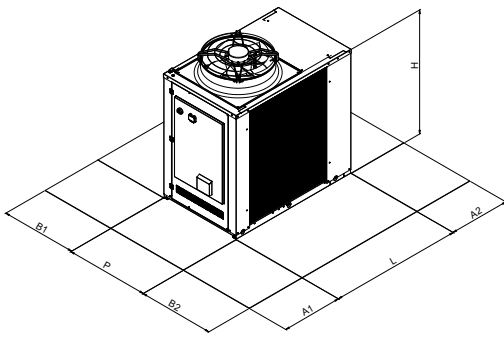
#### Hydraulic configurations

- ▶ **PS** Single pump AC
- ▶ **PSI** Inverter modulated single pump AC
- ▶ **PSEC** Single pump EC
- ▶ **PS-SI** Single pump AC and inertial tank
- ▶ **PSI-SI** Inverter modulated single pump AC and inertial tank
- ▶ **PSEC-SI** Single pump EC and inertial tank

**Made in Italy**  
**3 year Manufacturer's warranty**



## i-290 0240/0250 Heat Pump R290 Gas



Spaces of respect		0240-0250
A1	mm	1200
A2	mm	1000
B1	mm	1500
B2	mm	1500

Dimensions		0240-0250
L	mm	1850
L with tank	mm	2460
P	mm	1110
H	mm	1920
H (SSL)	mm	1980

Technical Characteristics		Unit	i-290 0240	i-290 0250	
<b>Cooling</b>	Cooling capacity (1)	kW	28,9	34,1	
	Power input (1)	kW	9,20	11,0	
	E.E.R. (1)	W/W	3,14	3,10	
	Cooling capacity (2)	kW	34,5	37,0	
	Power input (2)	kW	8,10	8,53	
	E.E.R. (2)	W/W	4,26	4,34	
	SEER (5)	W/W	4,86	4,80	
	Water flow (1)	L/s	1,38	1,63	
	Pressure drop on hydronic circuit side (1)	kPa	24	26	
<b>Heating</b>	Heating capacity (3)	kW	40,1	50,0	
	Power input (3)	kW	9,8	11,9	
	C.O.P. (3)	W/W	4,10	4,20	
	Heating capacity (4)	kW	38,0	47,9	
	Power input (4)	kW	13,1	16,5	
	C.O.P. (4)	W/W	2,90	2,90	
	Heating capacity (12)	kW	38,4	45,8	
	Power input (12)	kW	16,0	18,8	
	C.O.P. (12)	W/W	2,40	2,44	
	SCOP (6)	W/W	4,09	4,20	
	Water flow (4)	L/s	1,14	1,43	
		Pressure drop on hydronic circuit side (4)	kPa	20	26
		Energy efficiency - water 35°C / 55°C	Class	A++ / A++	A++ / A++
	<b>Compressor</b>	Type		Scroll DC Inverter	
Quantity			2	2	
Refrigerant oil (type)			PZ46M	PZ46M	
Refrigerant oil (quantity)		mL	1800	1800	
Refrigerant circuits			1	0	
<b>Refrigerant</b>	Type		R290		
	Refrigerant quantity (7)	kg	3,15	3,50	
	Refrigerant quantity in tonnes of CO2 equivalent (7)	ton	0,009	0,011	
	Design pressure (high/low) heat pump mode	bar	30,3 / 1,7		
	Design pressure (high/low) chiller mode	bar	30,3 / 0,7		
<b>External zone fans</b>	Type		EC		
	Quantity	Quantity	1		
	Nominal power (1)	kW	0,62	0,69	
	Maximum power input	kW	1,95	1,95	
	Maximum current input	A	3,3	3,3	
	Nominal air flow	m³/h	17080	18490	
<b>Internal heat exchanger</b>	Internal heat exchanger type		Plated / BPHE		
	N° internal heat exchanger		1	1	
	Water content	L	2,80	3,48	
<b>Hydronic circuit</b>	Water content of the hydronic circuit	L	4,5	5,2	
	Maximum pressure hydronic kit (safety valve setting)	bar	6	6	
	Hydraulic connections	inch	1" 1/2 (DN 40)	1" 1/2 (DN 40)	
	Minimum water volume (8)	L	365	415	
<b>Noise</b>	Sound power Lw (9)	dB(A)	82	83	
	Sound power level Lw configuration SL (9)	dB(A)	81	82	
	Sound power level Lw configuration SSL (9)	dB(A)	80	81	
	Sound pressure Lp1 (10) at 1m	dB(A)	64/64/64	65/65/65	
	Sound power level Lw (11)	dB(A)	74	75	
<b>Electrical data</b>	Power supply		400V/3P+N+T/50Hz		
	Maximum power input	kW	23	27	
	Maximum current input	A	37	44	
	Max. power input with antifreeze kit	kW	23	27	
	Max. current input with antifreeze kit	A	38	45	